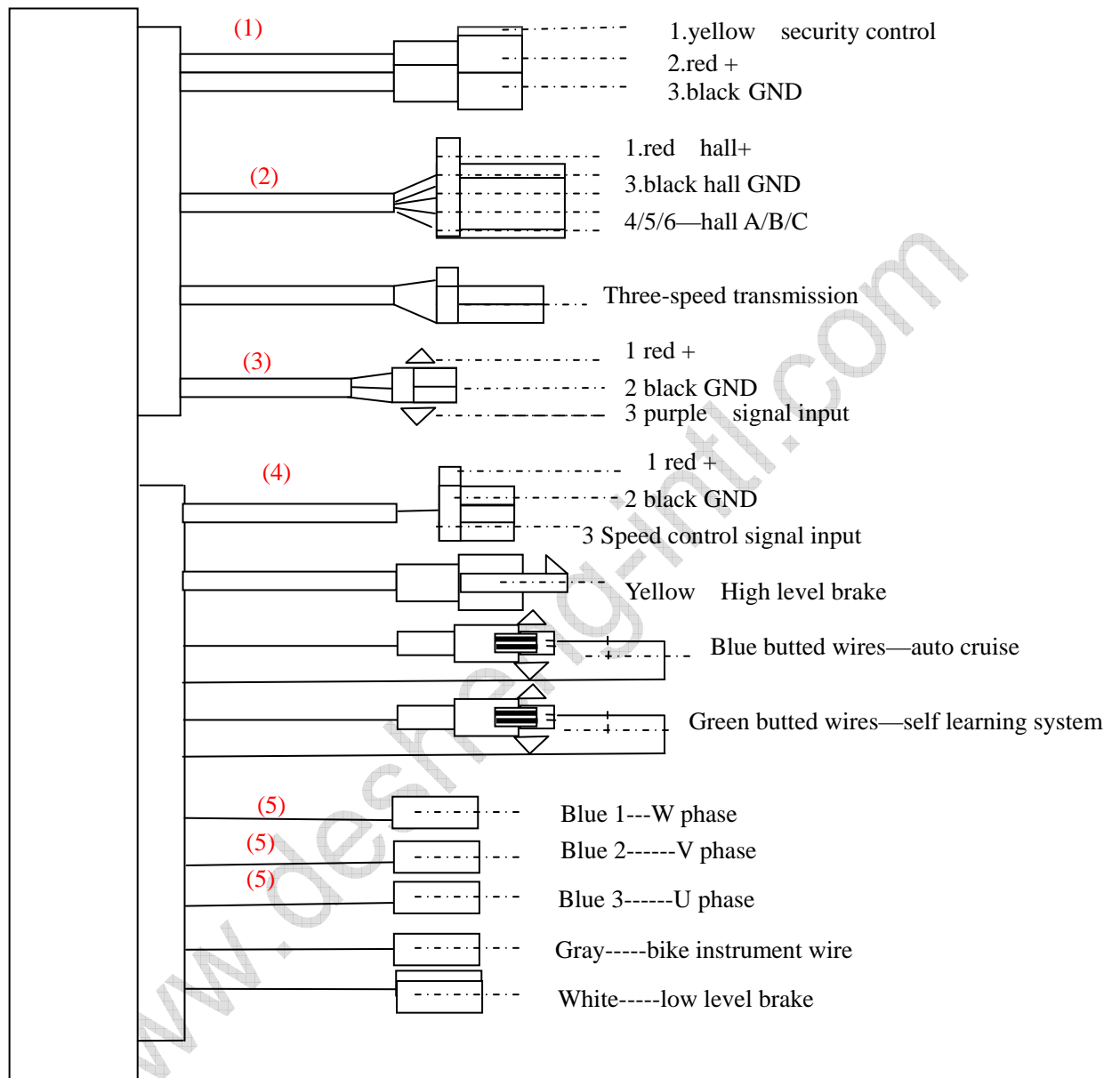


Controller Wiring Diagram



Remark: (1). Power interface (2). Motor hall (3). 1:1 power- assisted

(4). Speed throttle (5) 3-phase interface of BLDC motor